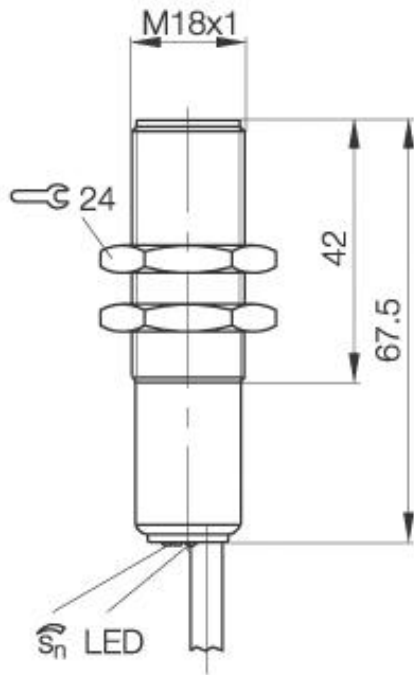


Photoelectric Sensor
BOS 18M-PO-1PD-E4-C-03
Sn=400mm
Diffuse



PX0059

Common Data

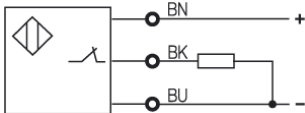
| | |
|-------------------------------------|--------------|
| Series | 18M |
| Sensortype | Diffuse |
| Switching frequency | 100 Hz |
| Rated operating distance Sn in mm | 400 |
| assured operating distance Sa | adjustable |
| Repeat accuracy | < 5% from Sn |
| Hysteresis | < 25% |
| Indication Supply Voltage | no |
| Indication Switching element on | yes |
| Indication Special funktion | no |
| Ambient temperature | -5...+55°C |
| On-delay | < 5ms |
| Off-delay | < 5ms |
| Light | Infrared |
| Sensitivity Adjustment | Poti |
| Blind zone / min Reflector distance | 5mm |
| Permissible ambient light | 2000 Lux |
| Output function | dark-on |

Mechanical Data

| | |
|--------------------------|---------------------------------|
| Measurements | M18x68 |
| Shock | Halfsinus, 30gn, 11ms |
| Vibration | 10...55Hz, 1,5mm Amplitude 3x2h |
| Housing material | nickel plated brass |
| Material of sensing face | PMMA |
| Degree of protection | IP67 |
| Connection | Cable |
| Type of Cable | PVC |

Electrical Data

| | |
|-------------------------------------|-----------------|
| Current | DC |
| Switching function | normally-closed |
| Output | PNP |
| Rated operational voltage Ue | 24V DC |
| Rated operational current Ie | 200mA |
| Supply Voltage | 10...30V DC |
| Ripple | < 10% from UB |
| Frequency of Supply Voltage | DC |
| Voltage drop | <2,5V |
| Short protection | yes |
| Protected against polarity reversal | yes |
| Rated insulation voltage | 250V DC |
| Output resistance | 33kOhm |
| max. Load capacity | 1µF |



Utilization categories
 Insulation class

Datasheet number:

Definitions see general catalog.
 If not otherwise noted, ratings according to
 IEC 60947-5-2 (DIN EN60947-5-2)

Balluff GmbH
 Schurwaldstrasse 9
 73765 Neuhausen a.d.F.
 Phone (07158) 173-0 Fax (07158) 5010

Datenblatt by CD-ROM - 04/2007

BALLUFF
 sensors worldwide